

Absolute Monoturn / Multiturn Encoder Models TBE / TRE with SS/-Interface



- **For use in machines and systems, e.g. industrial plants engineering and for rough operating conditions**
- **Magnetic sensor system**
- **Measuring range**
 - TBE: 16.384 steps / 360°**
 - TRE: 67.108.864 steps**
(16.384 steps per revolution x 4096 revolutions)
- **Protection grade IP65 / IP67**
(Higher protection classes up to IP 69K are available as an option)

Design

- Robust housing (wall thickness up to 5 mm) manufactured from seawater-proof aluminium (AlMgSi1 - 3.2315) or stainless steel (material: 1.4305 or 1.4404)
- Available versions in different housing diameters e.g. Ø 42, Ø 50, Ø 58 mm and special designs, optimized for specific applications are feasible
- Magnetic sensor systems for detecting the position
- The revolution detection is given by absolute multiturn gear on model TRE
- Electrical connection by connector M12x1 or via cable

Function

A positive and mechanical connection between customer and sensor shaft ensures that the magnet of the sensor shaft the rotation of the customer shaft are exactly reproduced.

The encoder TBE is a single-turn encoder because the absolute position of the motor shaft can only be determined with one revolution.

For the encoder TRE the compact absolute gear counts revolutions up to 4096 turns safely and reliably - without a battery.

Via the inputs 'Set input' and 'Code sense' (in each case input circuit E1) can be set and changed the Reference value '0' and the Code sense (CW or CCW).

Technical data

Electrical data

- Sensor system: Magnetic Sensor system(s)
- Operating voltage:
 - Ø 58: 9 to 36 VDC, Polarity-safe and short circuit proof
 - Ø 42, Ø 50: 18 to 28 VDC, Polarity-safe and short circuit proof
- Power consumption:
 - TBE: < 1 W
 - TRE: < 1.5 W
- Total of measuring steps:
 - TBE: 16,384 steps
 - TRE: 67,108,864 steps (16,384 steps / revolution x 4096 revolutions)
- Code sense (Input circuit E1): CW* oder CCW**, adjustable
- SET input (Input circuit E1): Set zero point (Other values from '1' to 'Total measuring range-1' as factory programmed)
- Absolute accuracy TBE: ± 0.1 %
- Absolute accuracy TRE: ± 0.25 %
- Repeatability.: ± 0.02 %
- Temperature drift: < 0.02° / K

SSI

The absolute angle information derived by the encoder is converted into serial information by an internal serial converter and the transmitted to a receiving electronic circuit in synchronism with a clock. Important advantages are: Low number of data lines, high reliability and high interference immunity by differential signal transmission (RS422). A detailed description can be found in the "TWK-SSI 10630" brochure.

- Input data CLOCK IN: Differential-Clock input (Optocoupler) for Data driver acc. RS 422 standard
- Output data DATA OUT: Differential-data output for Data driver acc. RS 422 standard
- Max. Clock frequency: 2 MHz (Transmission length ca. 10 m)
Note: Cable specification, use of shielded twisted-pair cable, terminating resistor)
- Mono flop time: 16 ± 10 µs
- SSI-Protocol: 32-Bit-Protocol

(other SSI-Protocols on request: e.g. with CRC-Sum, Bit number, Error bit, ...)

Mechanical data

- Operating speed:
 - max. 1000 rpm with sealing ring
 - max. 10,000 rpm with Nilos ring
- Angular acceleration: 10⁵ rad/s² max.
- Moment of inertia (shaft): 20 gcm²
- Operating torque: ≤ 8 Ncm (at speed 500 rpm and with sealing ring)
- Starting torque: ≤ 4 Ncm
- Perm. shaft load: 250 N axial
250 N radial
- Bearing service life: ≥ 10⁹ revolutions***
- Weight:
 - TBE Ø 58: Aluminium ca. 0.3 kg, stainless steel ca. 0.4 kg
 - TRE Ø 58: Aluminium ca. 0.5 kg, stainless steel ca. 0.7 kg

*) CW = increasing output signal for clockwise sensor shaft rotation, viewed looking towards the shaft

**) CCW = increasing output signal for counter clockwise sensor shaft rotation, viewed looking towards the shaft

***) This value applies at the maximum shaft load

TBE / TRE with SS/-Interface

Technical data

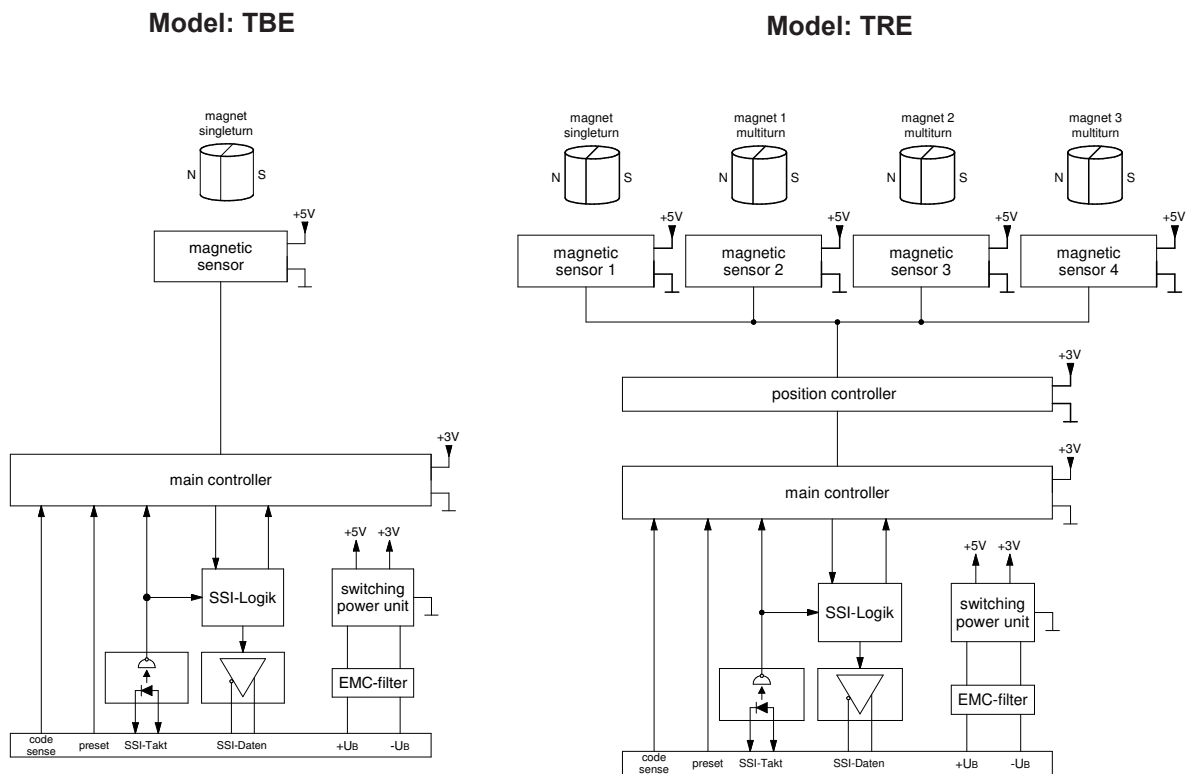
Environmental data

- Operating temperature range: - 40 °C to + 85 °C
- Storage temperature range: - 20 °C to + 60 °C (packaging-related)
- Resistance:
 - To shock: 250 m/s², 6 ms, 100 x each in 3 axes
DIN EN 60068-2-27
 - To vibration: 100 m/s², 5 Hz ... 2000 Hz, 1 hour each in 3 axes, (larger values optionally)
DIN EN 60068-2-6
- EMC standards: DIN EN 61 000 - 6 - 2 Immission (Burst/ ESD/ etc.)
DIN EN 61 000 - 6 - 4 Emission
- Protection grade (DIN EN 60529):
 - shaft-side: IP 67 - Shaft sealing ring,
IP 65 - Nilos ring
 - housing-side: IP67
Option IP 69K (Potting)

(For higher protection grades to IP69K please contact us if you require any further information.)

Principle circuit diagram

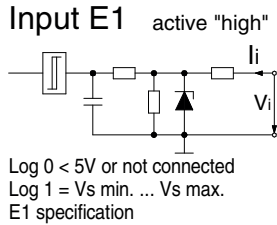
Principle circuit diagram TBE and TRE (Model Ø 58)



TBE / TRE with SS/-Interface

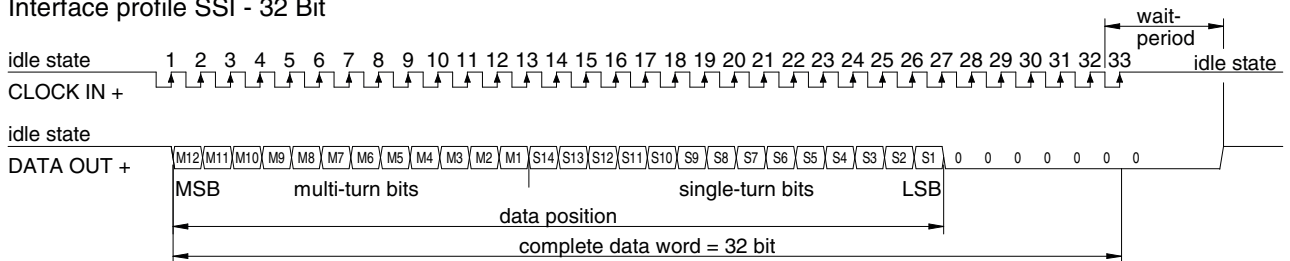
Input circuit for Set input and Code sense, Interface profile SS/ - 32 Bit / Binary

Input circuit for Set input und Code sense



Interface-Profile SS/ - 32 Bit / Binary

Interface profile SSI - 32 Bit



Standard assignment SS/-Protocols

Standard assignment SS/-Protocols

The following table contains the default assignments for the number of bits in the SS/-protocol. For further requirements e.g. with modified SS/-protocol, or with additional error bit, additional CRC-calculation and others must then be defined in a special variant.

Type	Bit number	SS/-Protocol
TBE	≤ 13 Bit	13 Bit Protocol
	14 Bit	25 Bit Protocol
TRE	≤ 25 Bit	25 Bit Protocol
	> 25 Bit	32 Bit Protocol

TBE / TRE with SS-/Interface

Connector assignment, Mating connector, Pole figure M12x1

Connector assignment

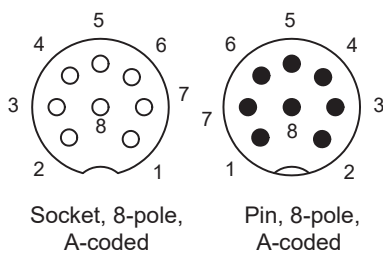
- TBE Ø 58 / TRE Ø 58: With connector M12x1, Pin, 8-pole, A-coded
With cable radial, twisted pair, 8-wire (4x2), shielded
- The connection diagram is included in the scope of delivery and is enclosed with every device.

Mating connector (must be ordered separately)

Order code number	STK 8GS54	STK 8WS86	STK 8GS105
Type	M12x1	M12x1	M12x1
Pole number	8	8	8
Type of contact	socket, A-coded	socket, A-coded	socket, A-coded
Connector model	straight	angled	straight
Housing material	brass nickel- plated	brass nickel- plated	Stainless steel
Cabel ø (mm)	6 - 8	6 - 8	5,5 - 8,6
Type of connection	screw	screw	screw
Protection grade	IP 67	IP 67	IP 67
Screening	on housing	on housing	on housing
Maximum wire size (mm ²)	0,5	0,5	0,5

Please note: The position of the coding groove of the angled connector must be defined by the customer and must then be defined in a special variant.

Pole figure M12x1,



TBE / TRE with SS/-Interface

Connection diagram

Connection diagramm

M12x1, 8-pole	Cable assignment
1	+V _S = 9 to 36 VDC, TBE: P _D < 1 W TRE: P _D < 1,5 W
2	- V _S = 0 VDC
3	CLOCK IN +
4	CLOCK IN -
5	DATA OUT +
6	DATA OUT -
7	SET input (input circuit E1) Set zero point SET inactivated at Vi = 'Log 0' or not connected SET activated at Vi = 'Log 1'
8	Code sense (input circuit E1) CW at Vi = 'Log 0' or not connected CCW at Vi = 'Log 1'

TBE / TRE with SS/-Interface

Order code number

TRE	58	-	K	A	16384	R	4096	W	S	E	01
-----	----	---	---	---	-------	---	------	---	---	---	----

01 **Electrical and mechanical variants:***

Output signal:

E SS/-Interface

Electrical connections:

K1 Cable, 1 m

S Device connector M12

Code sense:

W CW

C CCW

Measuring range in revolutions (only for TRE):

4096 Revolutions

Output code:

R Binary

G Gray (optionaly)

Resolution in steps / 360°:

4096 Steps / revolution 12 Bit

8192 Steps / revolution 13 Bit

16384 Steps / revolution 14 Bit

Housing material:

A Aluminium 3.2315

S Stainless steel 1.4305

V Stainless steel 1.4404

Flange:

58	K	Clamped flange, shaft Ø 10 mm with flat
	KF	Clamped flange, shaft Ø 10 mm with Woodruff key
	KP	Clamped flange, shaft Ø 10 mm with feather key
	KZ	Clamped flange, shaft Ø 12 mm for play-compensating toothed gear ZRS (ZRS11877)
	S	Syncro flange, shaft Ø 6 mm
	SR	Syncro flange, clamping shaft for Ø 12 mm (Torque support, ZMS 12939)
	SP	Syncro flange, shaft Ø 12 mm with Woodruff key

Design:

Model:

TBE Singleturn encoder with SS/-Interface (Design Ø 58 mm)

TRE Multiturn encoder with SS/-Interface (Design Ø 58 mm)

* The basic versions according to the data sheet bear the number 01. Deviations are identified with a variant number and are documented in the factory.

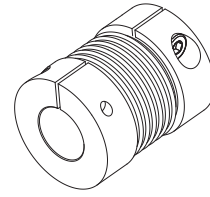
TBE / TRE with SS/-Interface**Allocation to flange type, bearing seal, rpm and Protection grade****Allocation to flange type, bearing seal, rpm and Protection grade (Design Ø 58)**

Flange type	Design	rpm	Protection grade
Clamping flange K, KF, KP	Shaft sealing ring	max. 1000 min-1	IP67
			IP69K - on housing (optional)
Clamping flange KZ	Shaft sealing ring	max. 1000 min-1	IP67
			IP69K - on housing (optional)
Syncro flange S, SP	Shaft sealing ring	max. 1000 min-1	IP67
	Nilos ring	max. 10,000 min-1	IP65

Accessories
Play free bellows coupling BKK 32 / x - y

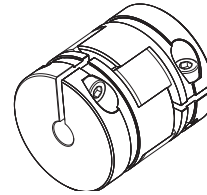
x and y: bore diameter for shaft mounting

See data sheet [BKK 11840](#)


Play free clamp coupling KK14S / x - y (without notch)

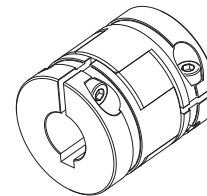
x and y: bore diameter for shaft mounting

See data sheet [KK 12301](#)


Play free clamp coupling KK14N / x - y (with notch)

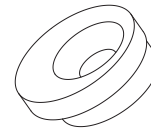
x and y: bore diameter for shaft mounting

With groove for keyway according to DIN 6885 Bl. 1 – JS9. See data sheet [KK 12301](#)


KL 66-2-S and others

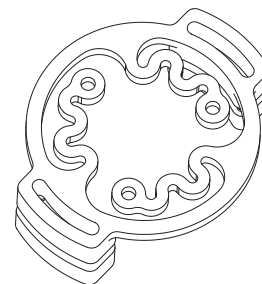
Mounting brackets for mounting encoders.

See data sheet [MZ 10111](#) for the appropriate model.


ZMS58

Torque arm / stator. Can be used as encoder shaft holder for version 'clamp shaft' to compensate for radial and axial play of the drive shaft (Design Ø 58 mm).

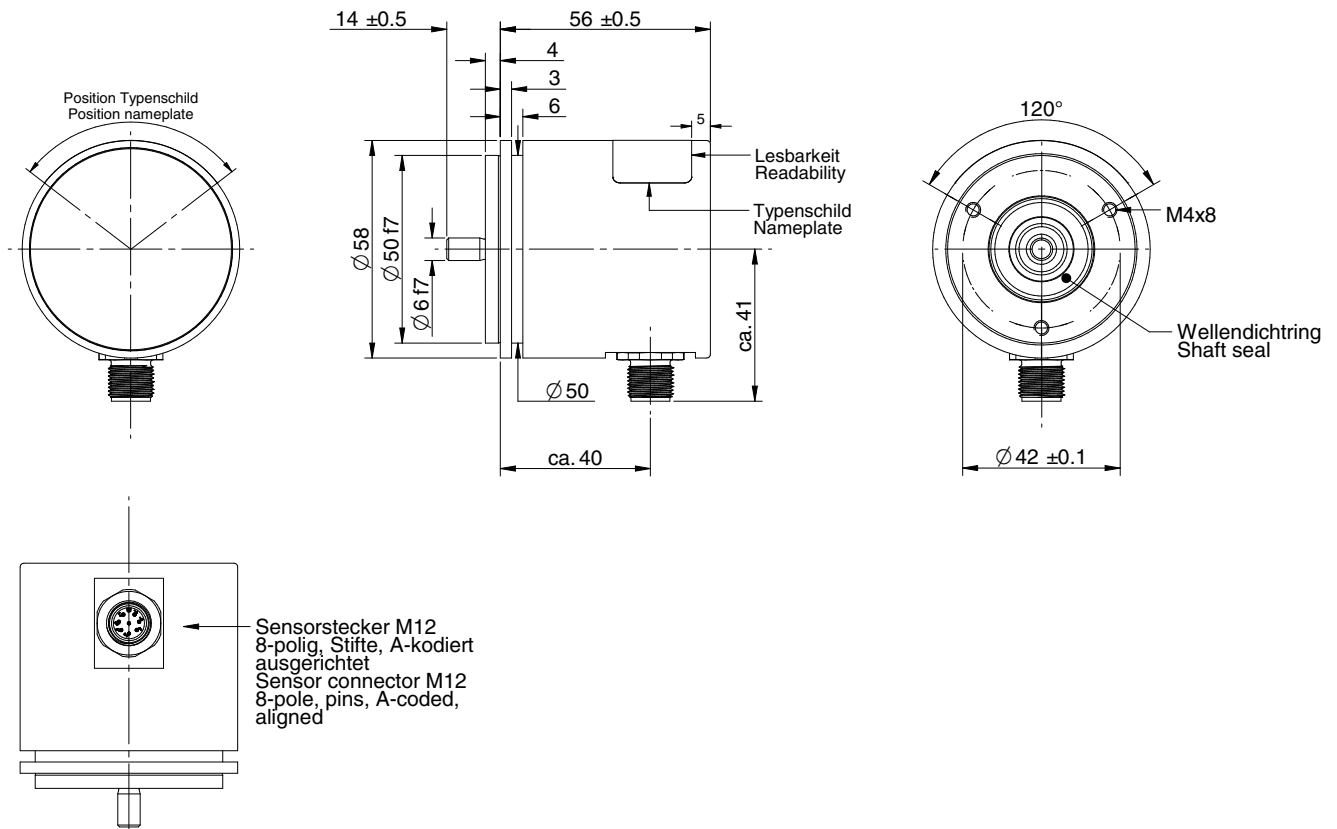
See data sheet [ZMS 12939](#)



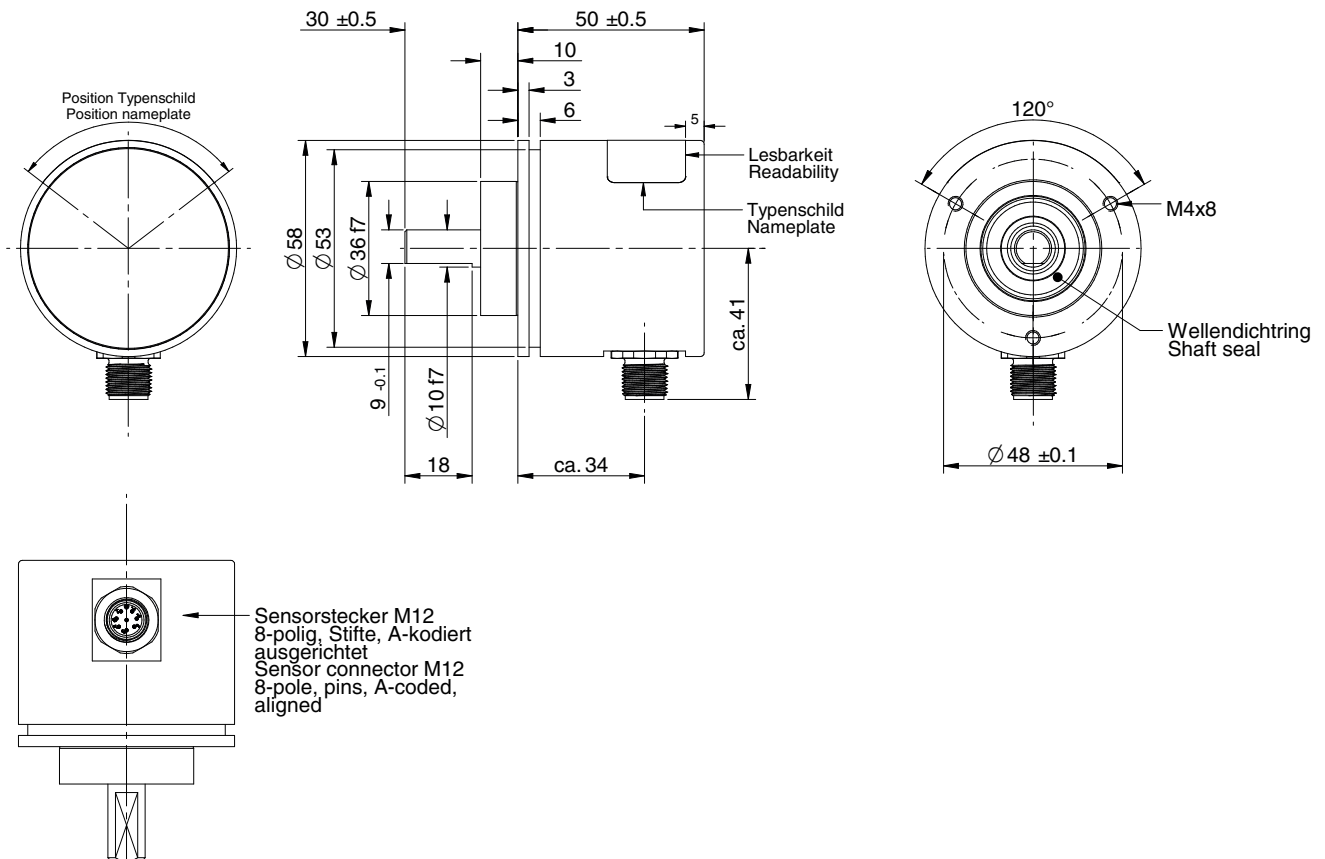
TBE / TRE with SS-/Interface

Technical drawing (Data in mm)

Order code: TBE58 - SA 16384 R W S E01



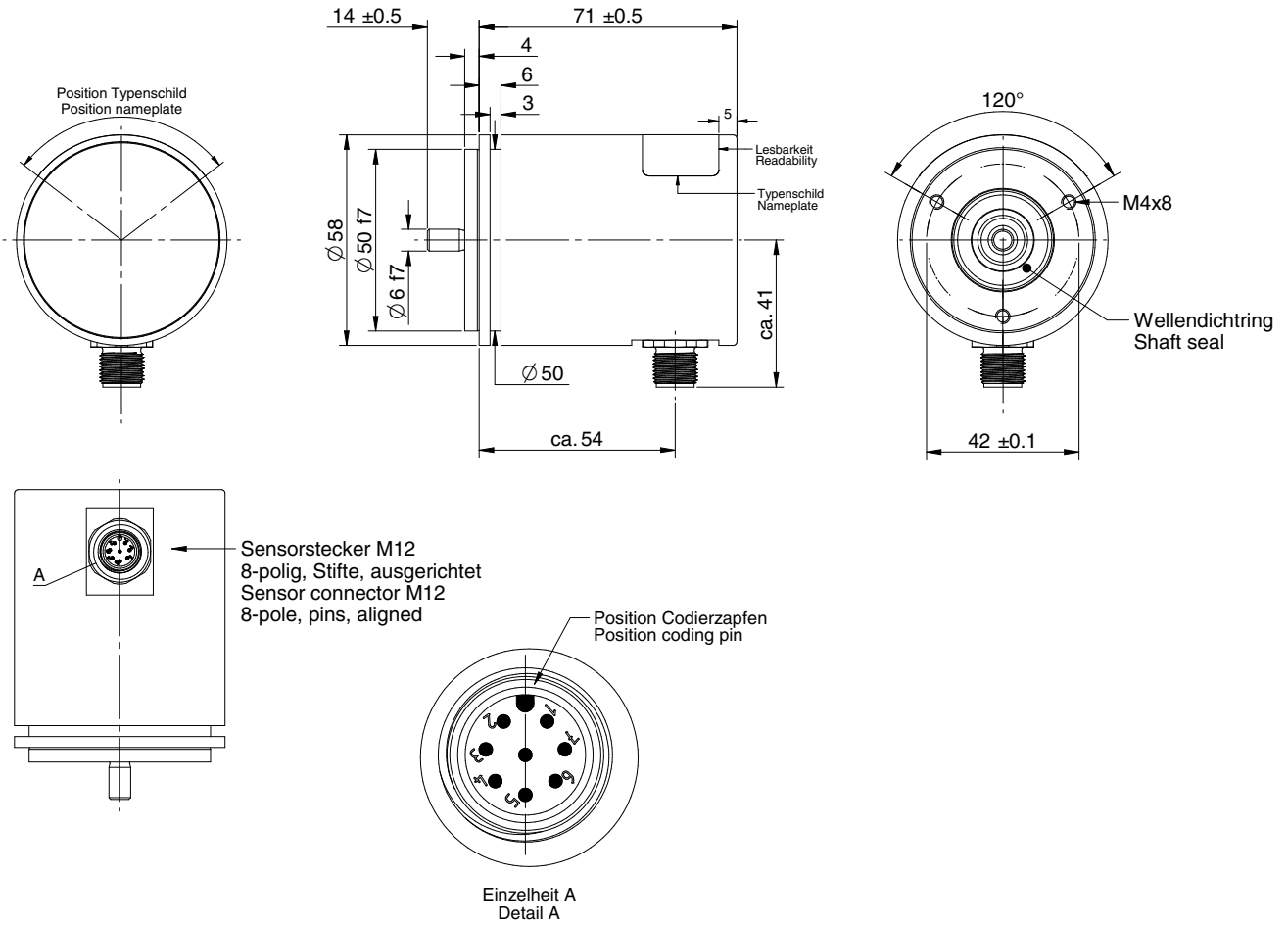
Order code: TBE58 - KA 16384 R W S E01



TBE / TRE with SS-/Interface

Technical drawing (Data in mm)

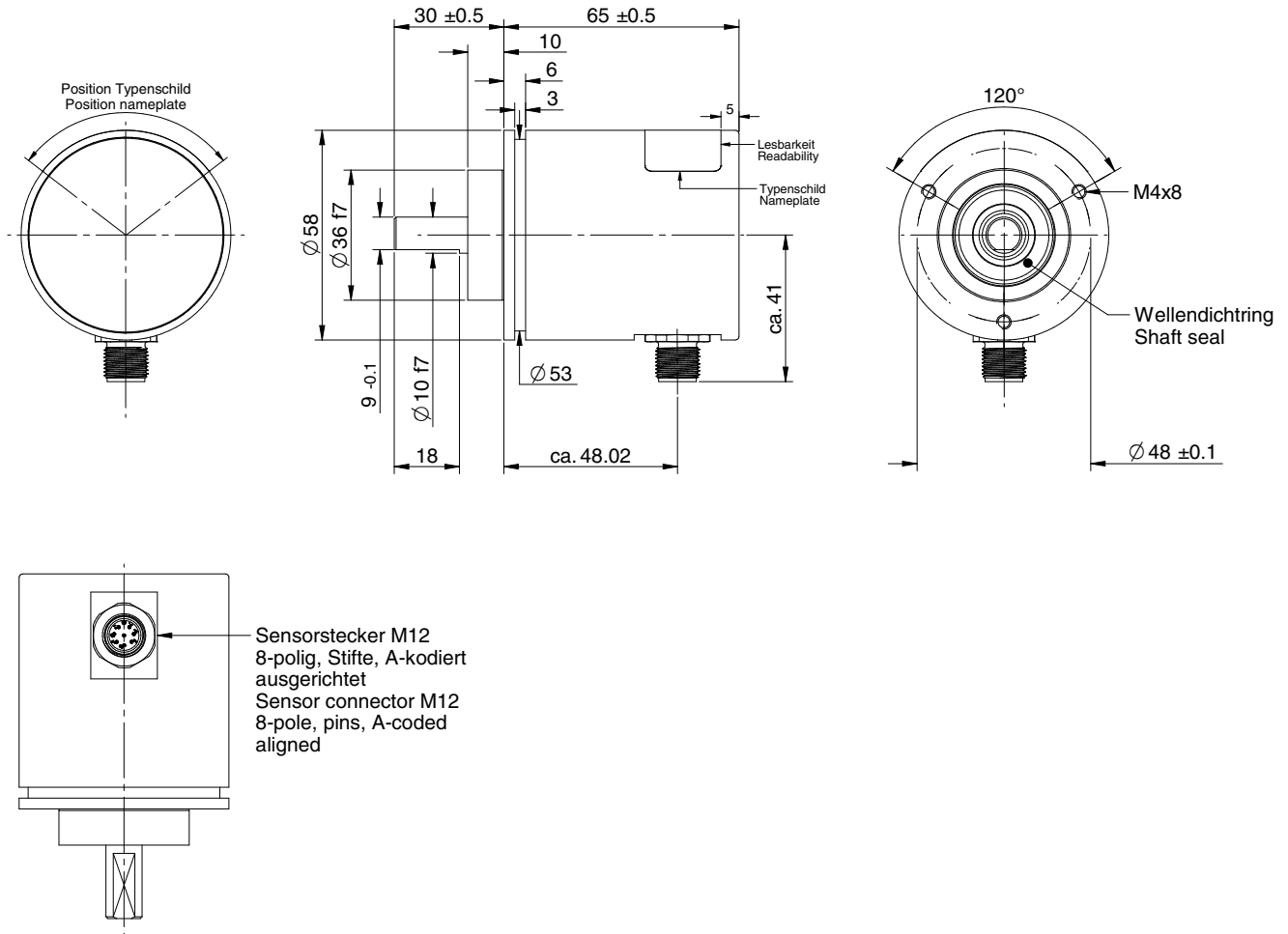
Order code: **TRE58 - SA 16384 R 4096 W S E01**



TBE / TRE with SS-/Interface

Technical drawing (Data in mm)

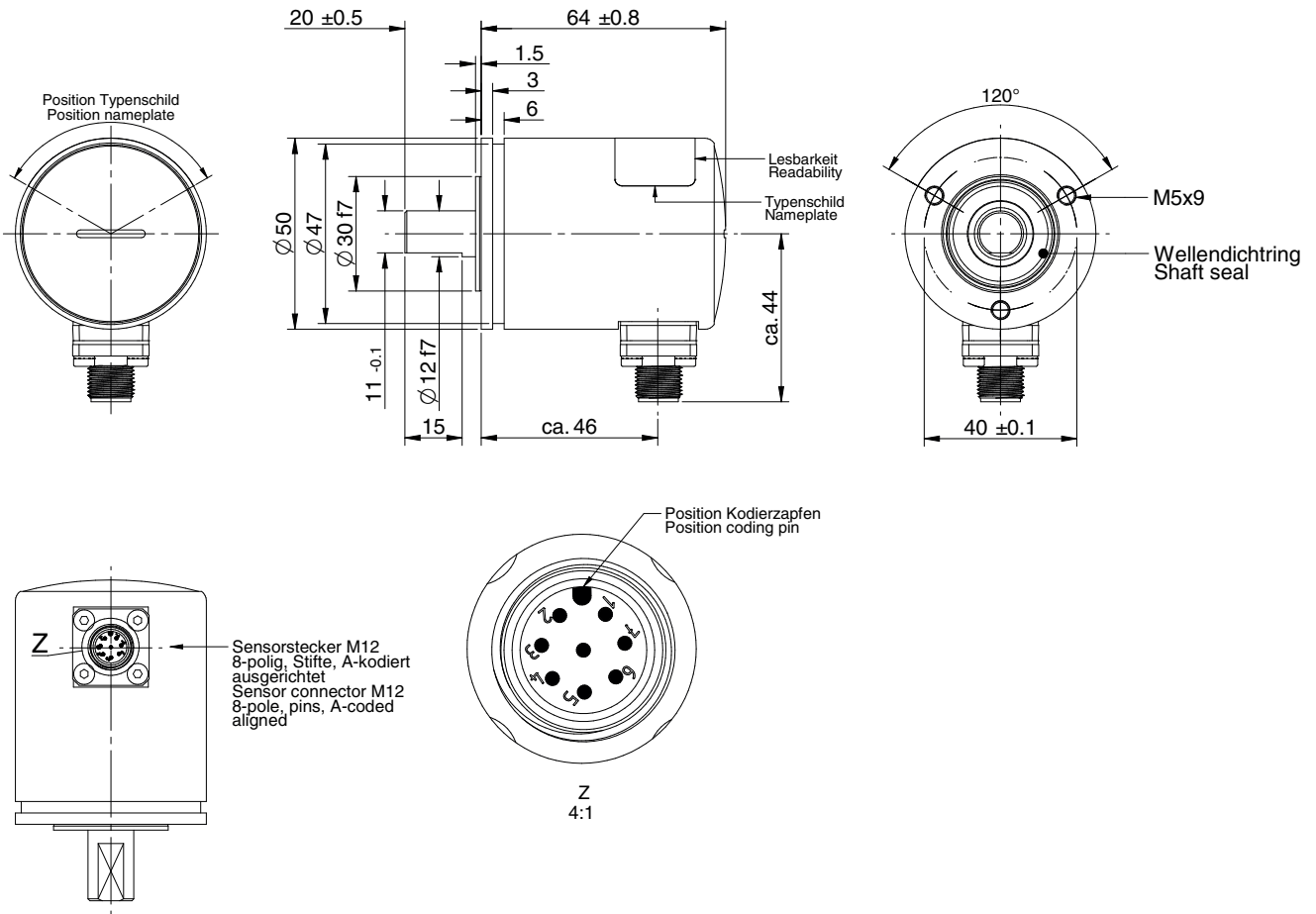
Order code: **TRE58 - KA 16384 R 4096 W S E01**



TBE / TRE with SS-/Interface

Technical drawing (Data in mm)

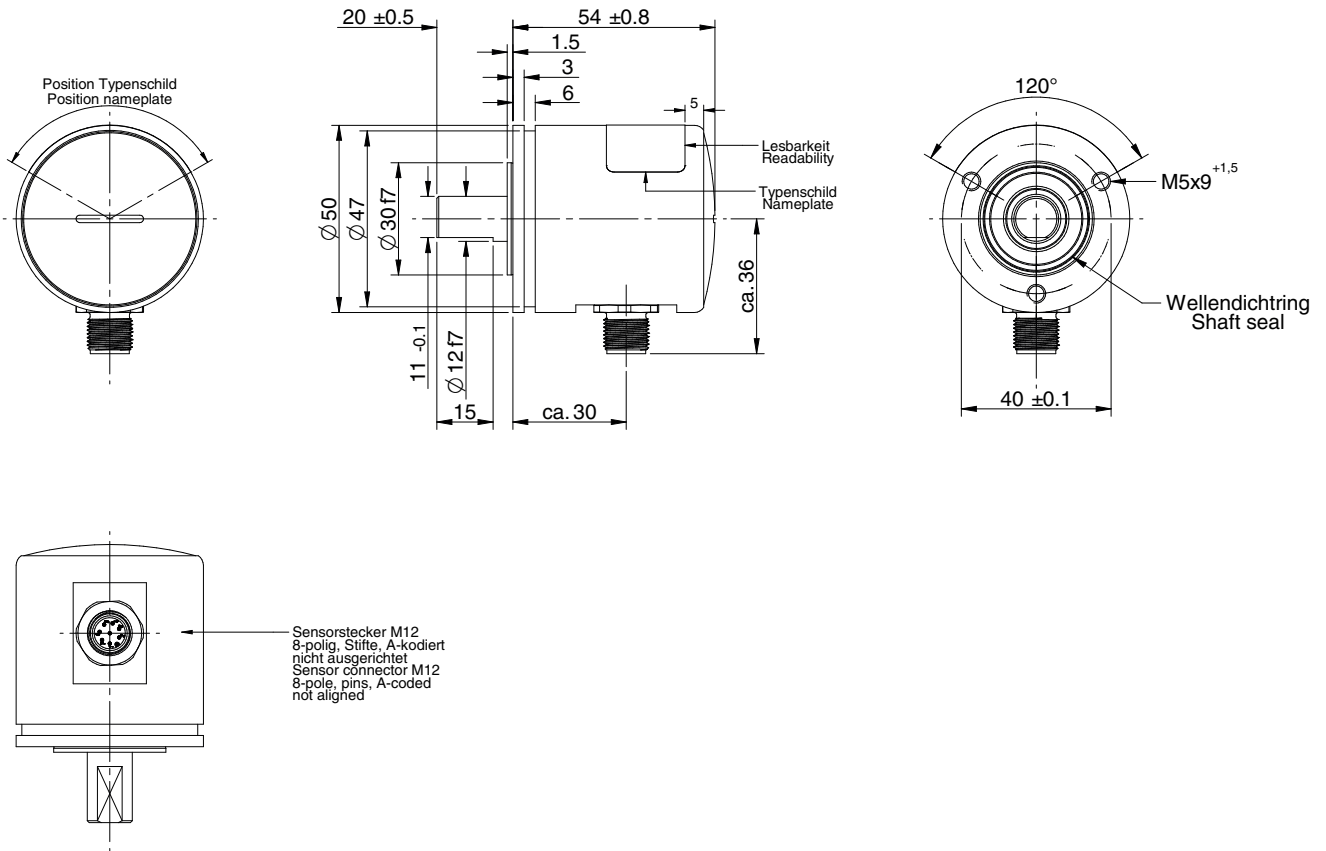
Order code: **TRE50 - SA 16384 R 4096 W S E01**



TBE / TRE with SS-/Interface

Technical drawing (Data in mm)

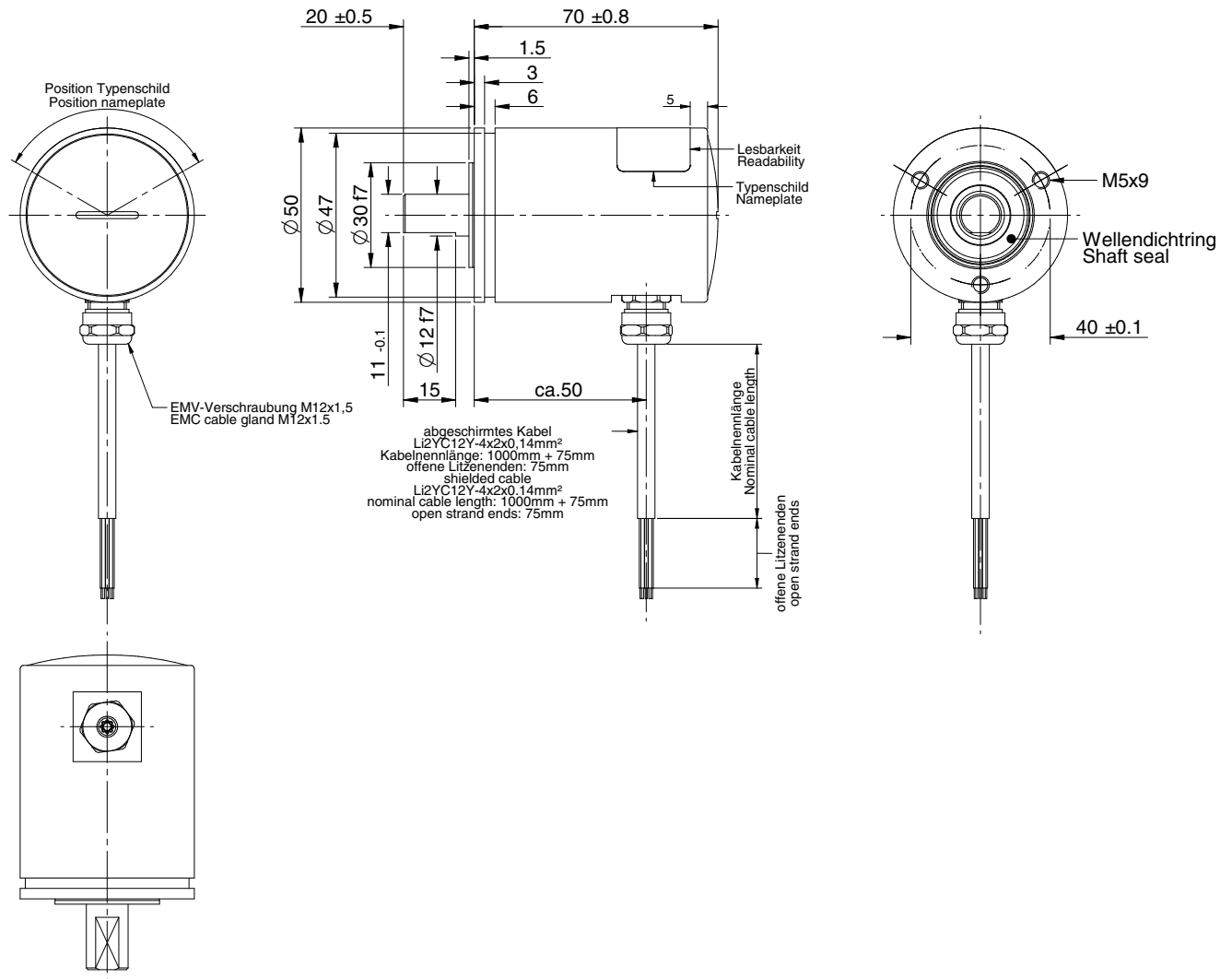
Order code: **TBE50 - SA 16384 R W S E01**



TBE / TRE with SS/-Interface

Technical drawing (Data in mm)

Order code: **TRE50 - SA 16384 R 4096 W K E01**



TBE / TRE with SS-/Interface

Technical drawing (Data in mm)

Order code: **TRE42 - SA 16384 R 4096 W K E01**

